

# FIMET

THE ART OF MEDICAL DESIGN

## NEO City

For You and Your Patient



# NEO City

For You and Your Patient

## WHY NEO CITY MAKES SENSE?

The elegant and intelligent Neo City is the most compact model in the NEO product family.

Neo City is a compact solution without cuspidor, with Continental or Traditional instrument bridge, and connection floor box that can be flexibly placed in front or on the side of the chair.

This is why Neo City is suitable for many different sized clinic rooms, and also complements different kind of working styles.



This brochure includes some optional features that are available for an additional cost.

### Hygiene

The ongoing pandemic has proved that hygiene has never been more important, especially within a dental surgery. In modern dentistry, cuspidor has no place, when it comes to reducing cross-contamination.

### Efficiency

Save time by reducing cleaning time. Removing the spittoon improves ergonomics for the whole dental team and patients too by reducing unnecessary component and movements.

### Reduce Costs

The unit with spittoon is a significant investment when you purchase new equipment. Removing the dental unit could save you around 15% of the cost of your equipment.

Saving in equipment cost leads to saving in other areas as well, like cups, filters, maintenance, and other consumables.

### MDR- level of durability

Durable and MDR-certified, built to withstand the demands of a busy practice.



## REDUCE MAINTENANCE

Dental treatment unit without cuspidor reduce both service cost and downtime.

Dental unit without cuspidor have less tubing, solenoids and PC-boards resulting easy installation and services.



## REDUCE COSTS

The unit with spittoon is a significant investment when you purchase new equipment. Removing the dental unit could save you around 15% of the cost of your equipment.

Saving in equipment cost leads to saving in other areas as well, like cups, filters, maintenance, and other consumables.

The absence of cuspidor provides more flexibility in surgery design.

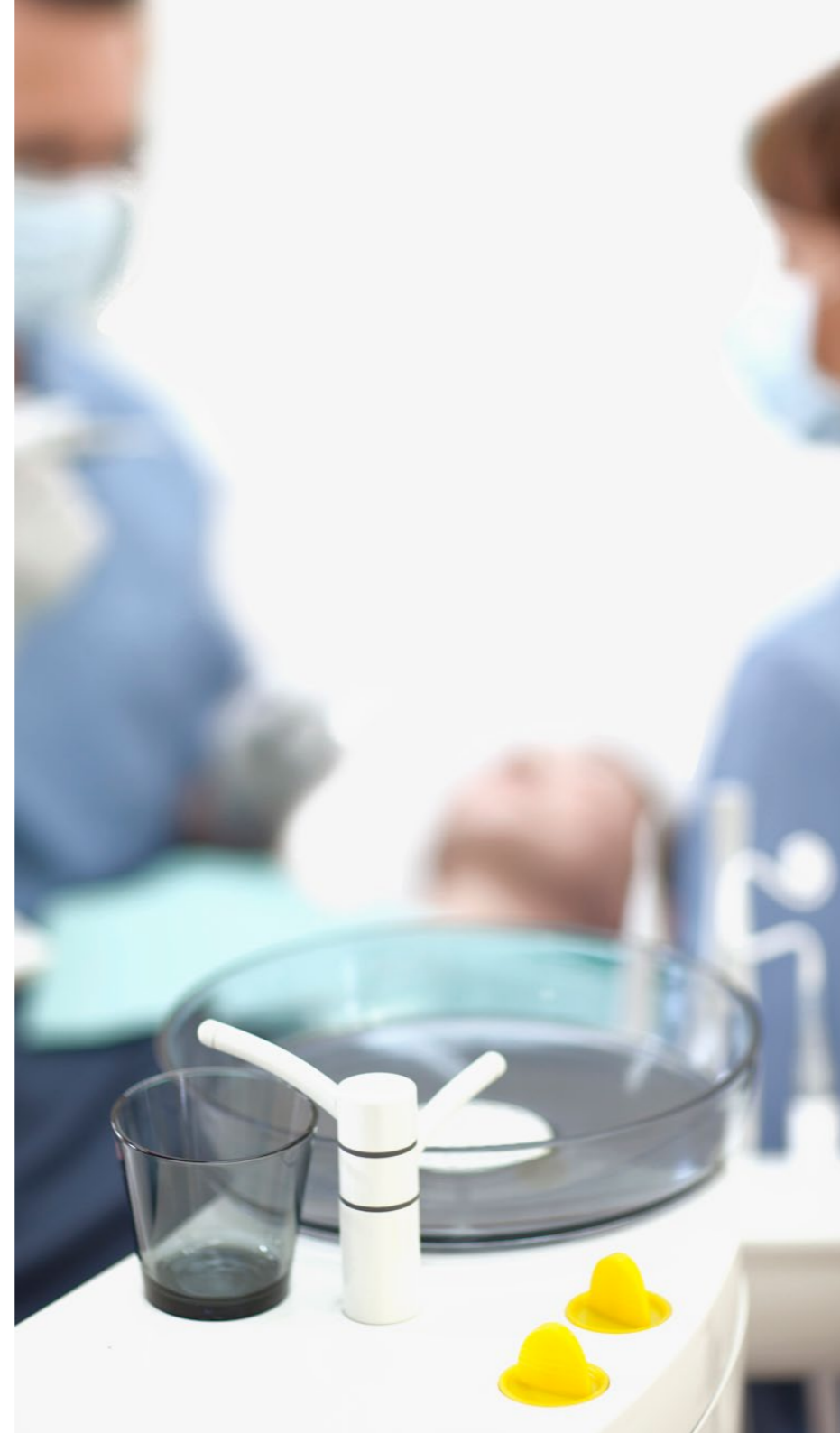
## HYGIENE

### In modern dentistry, cuspidor has no place, when it comes to reducing cross-contamination

Suction system can either be chair mounted or optionally installed in cabinet.

The ongoing pandemic has proved that hygiene has never been more important, especially within a dental surgery.

Instead, try to rinse for the patient with a 3-way syringe and high quality HVE suction from the treatment position. This can be done both when you're working 2-or 4-handed.



## EFFICIENCY

### Save time by reducing cleaning time.

Removing the spittoon improves ergonomics for the whole dental team and patients too by reducing unnecessary component and movements.



## INNOVATION IN EVERY ANGLE

Features You'll Love



# TECHNOLOGY THAT FITS YOUR WORKFLOW

## Streamline Your Day

The touchscreen reshapes the way you use Fimet products. It has been designed to streamline your daily work with its intuitive, clear and easy to use user interface. User specific adjustments ensure that the unit feels like its tailored just for you.

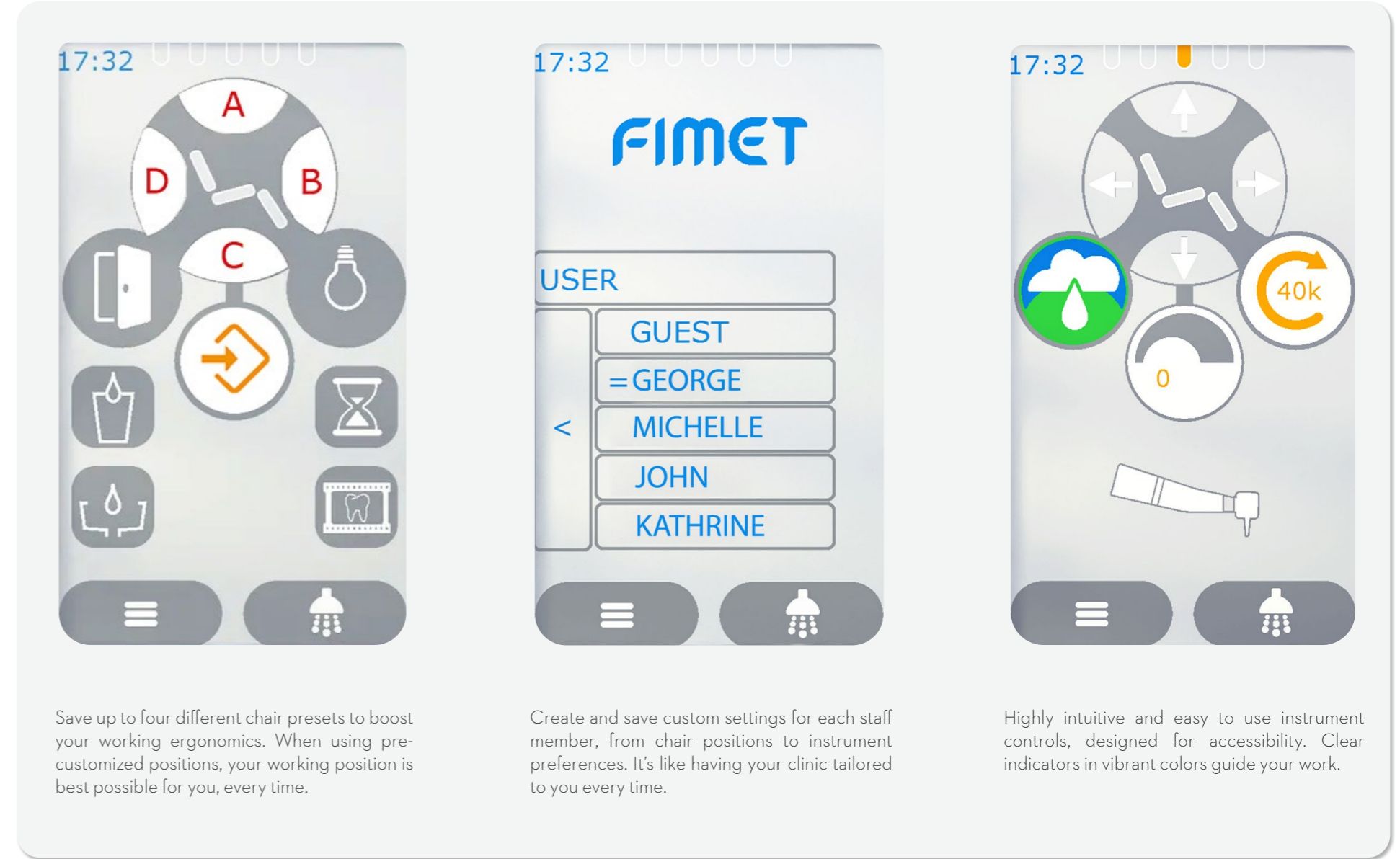
Manage everything—chair adjustments, lighting, and instruments—through the intuitive touchscreen.

The simple, clear design ensures your team spends less time fumbling with

## Integrated NSK Varios 170 scaler presets

Tip settings and images of the tips are preloaded into the interface as presets. By entering the name of the tip, the standard NSK factory setting is automatically applied.

If more power is needed, the output can be manually increased. The interface also allows the user to save up to four tips in a quick-access menu, making tip selection fast and easy.



Save up to four different chair presets to boost your working ergonomics. When using pre-customized positions, your working position is best possible for you, every time.

Create and save custom settings for each staff member, from chair positions to instrument preferences. It's like having your clinic tailored to you every time.

Highly intuitive and easy to use instrument controls, designed for accessibility. Clear indicators in vibrant colors guide your work.

## ERGONOMICS THAT WORK FOR YOU

### Smooth Chair Rotation and Inclusive Design

The chair rotates 45° to both sides, allowing the workspace to adapt to different situations. With more working room around the chair, accommodating wheelchair users and other patients with mobility challenges becomes effortless.



## VERSATILITY WHEN YOU NEED IT MOST

### Flexible Tools

Quickly adapt between 2-handed and 4-handed procedures. No stress, no delay—just seamless transitions.

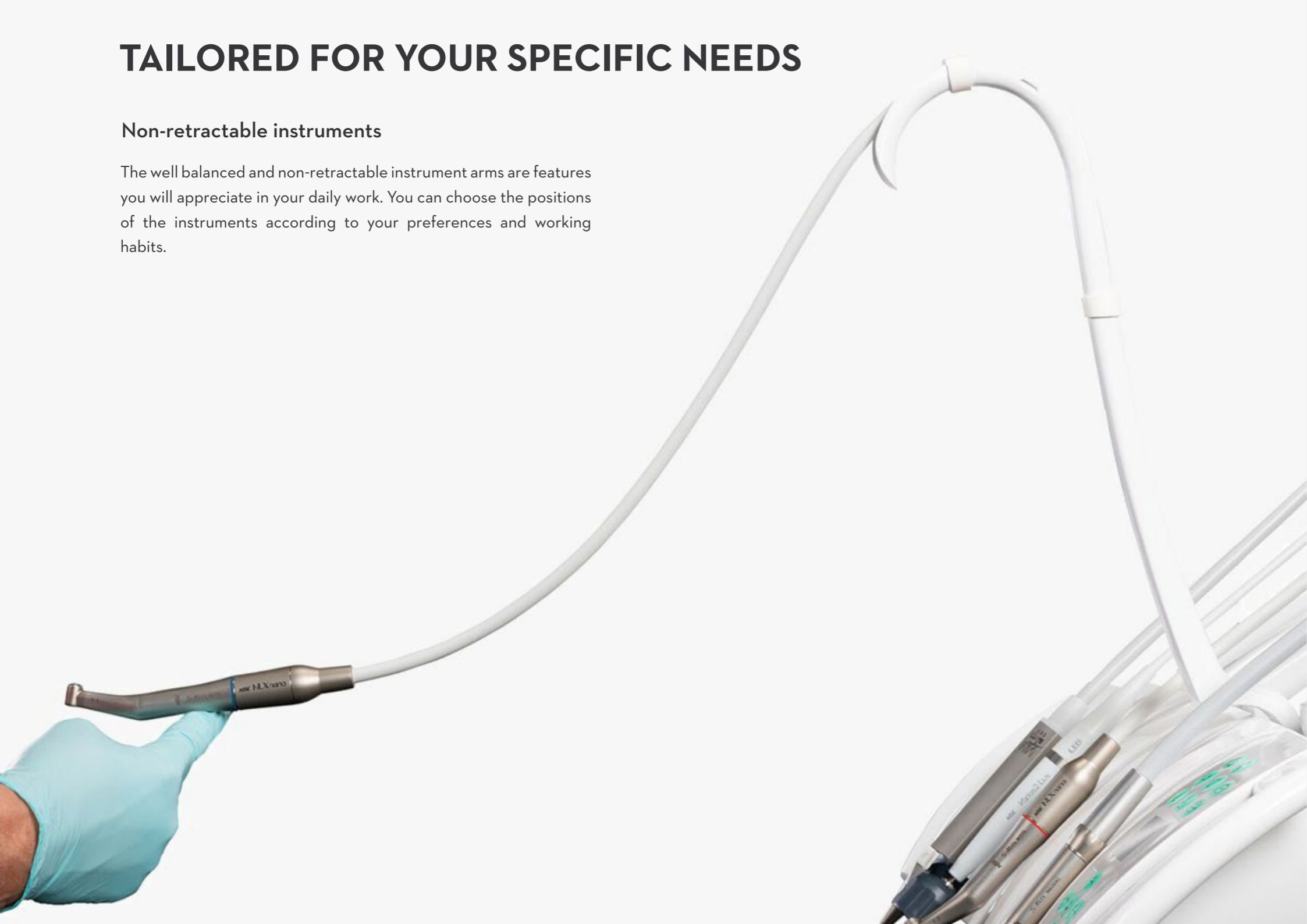
As the instrument console and the tray holder are placed over the patient's chest, real four-handed dentistry can be performed. The arm can be easily moved to the assistant's side for cleaning. Your patient can step in and out of the chair even when the arm and the instrument console are moved to the left side.



# TAILORED FOR YOUR SPECIFIC NEEDS

## Non-retractable instruments

The well balanced and non-retractable instrument arms are features you will appreciate in your daily work. You can choose the positions of the instruments according to your preferences and working habits.



## Removable hygiene covers

Both the instrument console and the assistant's console are equipped with a hygienic silicone cover to ensure excellent hygiene



## Customizable instrument bridge

Left-handed? Right-handed? Doesn't matter. Rearrange tools in moments to suit anyone on your team in seconds.



## Efficient instrument bridge

The instrument console is compact and can be equipped with up to five instruments to suit your needs.

The touch screen is an optional accessory that can be installed on either the left or right side of instrument bridge.



## THE PATIENT CHAIR

A relaxed patient lets you focus fully on the treatment. A thin backrest allows the care team to get close to the patient. The ergonomic NEO chair perfectly complements the whole. Different working positions can be individually programmed for multiple users.

The chair has an exceptionally wide range of motion of 450-950 mm, which allows you to work both sitting and standing.

The rotating arm rests allow easy access to the chair. These hygienic arm rests are removable.

A special cushion is available for children.

Two joystick foot controls for manual and automatic movements are located in the chair's base. The chair can also be operated from the instrument bridge and from the assistant's element.



## QUALITY TOOLS

As you deserve the best possible tools to perform the most demanding treatments, we have only preselected instruments from well-established manufacturers for you. The choice is yours.

### Micromotors

All our electric micromotors have internal spray cooling and light. They are compatible with all ISO Type E contra-angles and handpieces and are made by well-known European and Japanese manufacturers.

When working with any of the listed Neo Ceiling micromotors, you can choose and individually adjust between three speed ranges, making it easy to select exactly the speed you require.



### KCL-LED COUPLING

LED COUPLING FOR KAVO MULTIFLEX

#### NSK, Japan

- Attach NSK micromotor to your existing Kavo MultiFlex system
- Colour temp 6500K and luminance 32000 Lux
- Adjustable water pressure



### 6- AND 3-WAY SYRINGES

DENTAL SYRINGE

#### Luzzani Dental, Italy

- Available in angled and straight type
- Stainless steel sleeve

# MICROMOTORS



**MX2 PLUS**  
Bien Air Dental, Switzerland

- Motor speed rating min. 100 max. 40 000 rpm
- Motor torque rating 3,5 Ncm
- Weight 79 g

Brushless motor.



**MC3 LED**  
Bien Air Dental, Switzerland

- Motor speed rating min. 60 max. 40 000 rpm
- Motor torque rating 2,8 Ncm
- Weight 100 g

With autoclavable detachable sleeve.



**MCX LED**  
Bien Air Dental, Switzerland

- Motor speed rating min. 1000 max. 40 000 rpm
- Motor torque rating 2,5 Ncm
- Weight 76 g

Brushless motor



**NBX LED**  
NSK, Japan

- Motor speed rating min. 2 000 max. 40 000 rpm
- Motor torque rating 4,0 Ncm
- Weight 83 g
- Length 76 mm including hose connector

Solid titanium outer body.



**NLX NANO LED**  
NSK, Japan

- Motor speed rating min. 2 000 max. 40 000 rpm
- Motor torque rating 3,4 Ncm
- Weight 61 g
- Length 68,8 mm including hose connector

Brushless motor, thus no need to change carbons as in conventional micromotor. Complete motor is autoclavable up to 135 °C.

# ULTRASONIC SCALERS AND OTHER TOOLS



**SATELEC MINI LED**  
CURING LIGHT  
ACTEON, FRANCE

- Power output 1250mw/cm<sup>2</sup> - 2000mw/cm<sup>2</sup>
- Curing time is 6 - 12 seconds for 2mm of any composite



**SATELEC SP4055**  
ULTRASONIC SCALER  
ACTEON, FRANCE

- Frequency range 28-36 kHz
- Max. power output 9 W
- Delivery includes tips 1, 10P and 10X, protection tip and universal wrench.



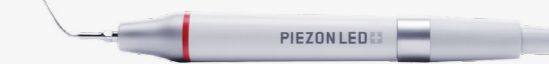
**SATELEC NEWTRON LED**  
ULTRASONIC SCALER  
ACTEON, FRANCE

- Frequency range 28-36 kHz,
- max. power output 12 W
- Delivery includes tips 1, 10P and 10X, sterilisation box and one torque wrench



**CURE TC-24**  
CURING LIGHT  
SPRINH HEALTH PRODUCTS, U.S:A

- Power output 600mw/cm<sup>2</sup> - 1200mw/cm<sup>2</sup>
- Curing Time is 5-15 seconds for modern composites
- Housing is made of anodized aluminum



**PIEZON NO PAIN LED**  
ULTRASONIC SCALER  
EMS, SWITZERLAND

- Frequency range 24-32 kHz
- max. power output 8 W
- Delivery includes tips A, P and PS, autoclavable sterilisation box and 3 torque wrench keys

Dynamic power-response feature that constantly regulates the ultrasonic power to the applied load.



**VARIOS 170 LED**  
ULTRASONIC SCALER  
NSK, JAPAN

- Frequency range 28-32 kHz,
- max. power output 11 W
- Delivery includes tips G4, G8 and G16, autoclavable sterilisation box and 3 torque wrench keys

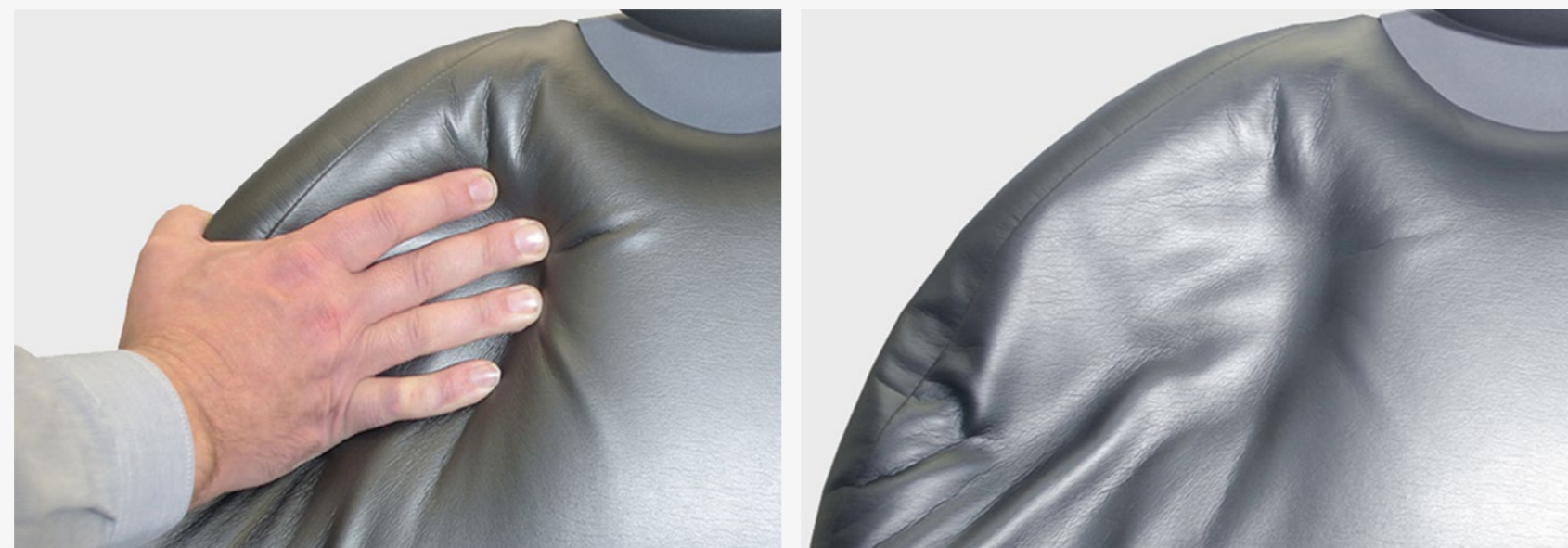
The iPiezo engine assures stable output by automatically adjusting to the optimum frequency depending on the loading of the tip.

# COLORS

## Choose your favourite

Seamless, easy-to-clean ComFORT and XtraSOFT upholsteries are available in many attractive colours. This material has a smooth and shiny surface with a skin-friendly coating. It is waterproof and can be disinfected.

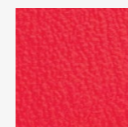
imitation leather from the FIMET -collection complies with the relevant regulations of the EC directive 93/42/EWG on medical devices, and it is biocompatible according to EN ISO 10993



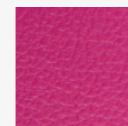
UltraLUX upholstery features a classic natural grain with a subtle luminescence that provides a hint of luxury and refinement. Memory foam adapts fully to the patient's body shape and is pleasant and relaxing.

The specifications and colours in this leaflet may vary from the actual product and are subject to change without prior notice. Ask your local FIMET distributor for colour samples.

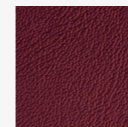
Ruby red  
818



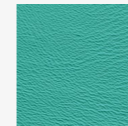
Orchid  
1900



Purple red  
802



Turquose  
263



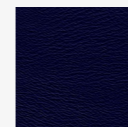
Emerald green  
824



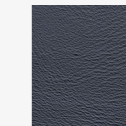
Royal blue  
268



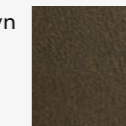
Night blue  
225



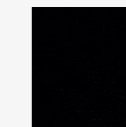
Anthracite  
316



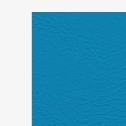
Chocolate brown  
815



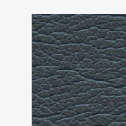
Black  
260



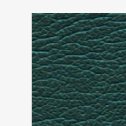
Ocean blue  
819



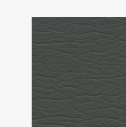
Metallic blue  
2691



Forest green  
4304



Graphite v2  
5806





## PATIENT LIGHT

In order to achieve the best results under health and safety conditions, dentists need to operate in a clear view environment. The light must be able to reduce the shadow effect of instruments and natural barriers to a minimum. We have chosen professional lighting system for you with advanced LED technology from leading specialised manufacturer.

### POLARIS COMPOSAFE

Polaris Composafe features the COMPOSAFE mode, which eliminates wavelengths that cause premature photopolymerization, making it easier to work with composites and resins without the risk of pre-polymerization.

This gives the dentist more working time with the composite material.

The POLARIS COMPOSAFE lamp is equipped with a proximity sensor through which it is possible to turn the lamp on and off and switch from one mode to another.



#### GCOMM - POLARIS



Color temperature can be adjusted between 4 200 and 6 000 K. This allows the color temperature to be adjusted in order to improve the contrast on soft tissues, increasing the visibility and the resolution

It is possible to adjust illuminance between 8 000 to 50 000 Lux

An easily cleanable front cover keeps the reflectors protected from dust and damages

An optional mirror and anti-polymerization filter can be easily added to your Polaris light

#### FARO - EVA



Lighting level can be adjusted from 3 000 to 50 000 Lux

Due to the high CRI value (Color Rendering Index) of 97 the quality of the colors and the details in the mouth of the patient are fully realistic and respected

The optional FARO SCREEN protection cover with a patient mirror can be mounted on the light also afterwards

## STOOLS

Sit well and choose one of the stool options.



Classic

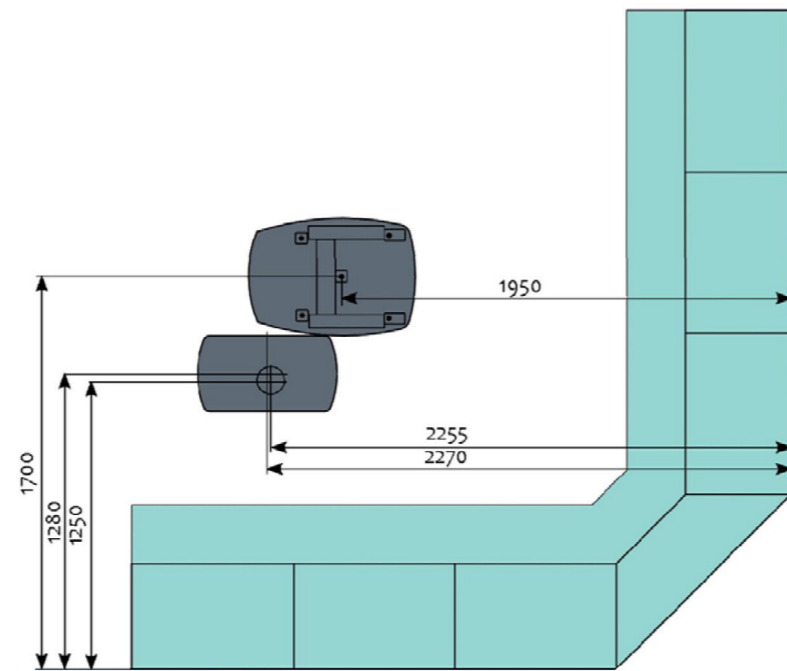
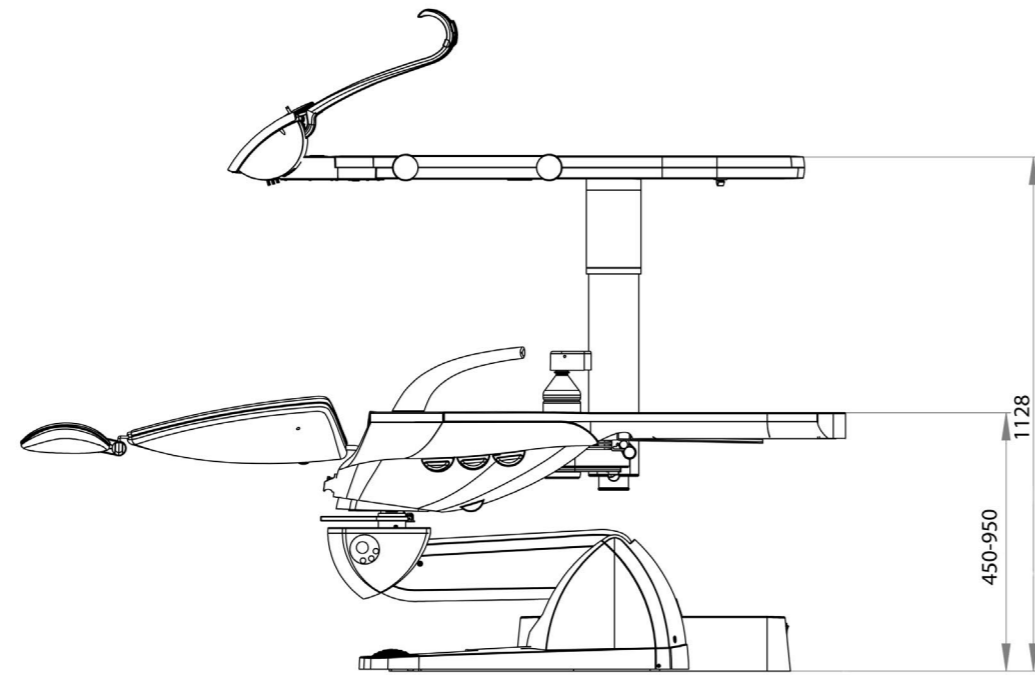
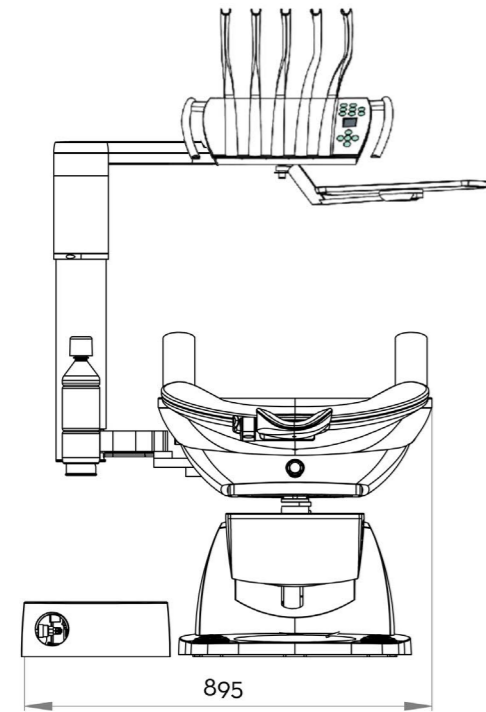


Dental



Pony





## NEO City

Neo City redefines flexibility with a compact design that adapts effortlessly to your workflow. It's the smart choice for modern practices where space, efficiency, and style matter most.

For more information, visit [www.fimet.fi](http://www.fimet.fi) or contact an authorized dealer.

The Neo dental chair is MDR-certified, ensuring it meets the highest standards of safety and quality. This certification guarantees both your peace of mind and your patients' well-being. We take compliance seriously, so you can rest easy knowing your equipment meets industry regulations.

## FIMET

Fimet Oy  
 Teollisuustie 6  
 FI-07230 Askola  
 Finland

+358 19 521 6600  
[fimet@fimet.fi](mailto:fimet@fimet.fi)  
[www.fimet.fi](http://www.fimet.fi)